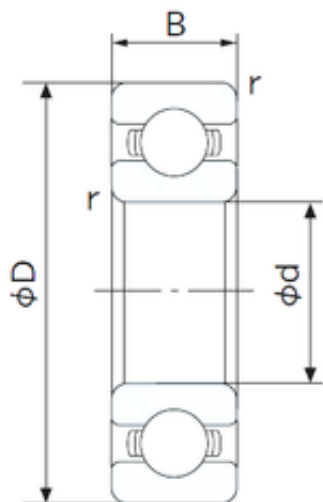




BTE Bearing Power Machinery Co., Ltd.



6202 2RS 6202zz Z1V1 Z2V2 Z3V3 Deep Groove Ball Bearing Distributor of SKF NSK NTN NACHI Koyo FAG OEM

Bearing No. 6202

Size	15x35x11 mm
Bore Diameter	15 mm
Outer Diameter	35 mm
Width	11 mm
d	15 mm
D	35 mm
B	11 mm
C	11 mm
r min.	0.6 mm
da min.	20 mm
Da max.	30 mm
ra max.	0.6 mm
Weight	0.045 Kg
Basic dynamic load rating (C)	7,65 kN
Basic static load rating (C0)	3,7 kN
(Grease) Lubrication Speed	19000 r/min
Category	Single Row Ball Bearings
Inventory	0.0
Manufacturer Name	NACHI
Minimum Buy Quantity	N/A
Weight / Kilogram	0
Product Group	B00308
Enclosure	Open
Precision Class	ABEC 1 ISO P0

6202 Bearing 2D drawings and 3D CAD models



BTE Bearing Power Machinery Co., Ltd.

Maximum Capacity / Filling Slot	No
Rolling Element	Ball Bearing
Snap Ring	No
Internal Special Features	No
Cage Material	Steel
Internal Clearance	C0-Medium
Inch - Metric	Metric
Long Description	15MM Bore; 35MM Outside Diameter; 11MM Outer Race Width; Open; Ball Bearing; ABEC 1 ISO P0; No Filling Slot; No Snap Ring; No Internal Special Features; C0-Medium Internal Clearance; Steel Cage
Other Features	Deep Groove
Category	Single Row Ball Bearing
UNSPSC	31171504
Harmonized Tariff Code	8482.10.50.68
Noun	Bearing
Keyword String	Ball
Manufacturer URL	http://www.nachiamerica.com
Weight / LBS	0.099
Inner Race Width	0 Inch 0 Millimeter
Outside Diameter	1.378 Inch 35 Millimeter
Bore	0.591 Inch 15 Millimeter
Outer Race Width	0.433 Inch 11 Millimeter
Bore Type	Cylindrical Bore
Configuration	Single Row
Bore Size	15 mm
Width	11 mm
Fillet Radius/Chamfer	0.6 mm



BTE Bearing Power Machinery Co., Ltd.

Dynamic Load Rating	7,650 N
Static Load Rating	3,700 N
Limiting Speed - Grease	20,000 rpm
Limiting Speed - Oil	24,000 rpm
Factor f_0	13.1
Radial Clearance	0.003 to 0.018 mm
da (min)	20 mm
Da (max)	30 mm
ra (max)	0.6 mm