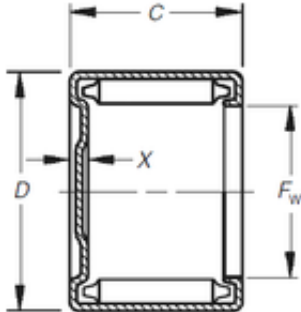




## BTE Bearing Power Machinery Co., Ltd.

### Timken M-441 needle roller bearings



Bearing No. M-441

Size	6.35x11.113x6.35 mm
Bore Diameter	6,35 mm
Outer Diameter	11,113 mm
Width	6,35 mm
F <sub>w</sub>	6,35 mm
D	11,113 mm
C	6,35 mm
C1	2,03 mm
Weight	0,003 Kg
Basic dynamic load rating (C)	2,76 kN
Basic static load rating (C0)	2,62 kN
(Grease) Lubrication Speed	6500 r/min

M-441 Bearing 2D drawings and 3D CAD models