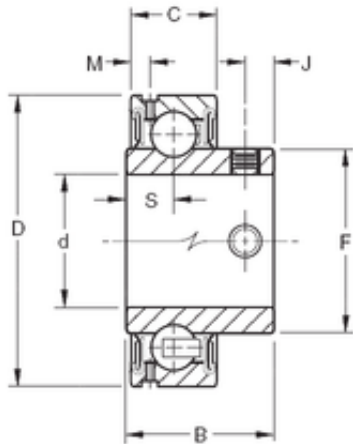




BTE Bearing Power Machinery Co., Ltd.



Timken GYA203RR deep groove ball bearings

Bearing No. GYA203RR

Size	55.5625x100x46.6 mm
Bore Diameter	55,5625 mm
Outer Diameter	100 mm
Width	46,6 mm
d	55,5625 mm
D	100 mm
B	46,6 mm
C	24 mm
F	69,8 mm
J	9,02 mm
M	4,9 mm
S	14,6 mm
Thread (G)	M10X1,5
Weight	0,58 Kg
Basic dynamic load rating (C)	48 kN

GYA203RR Bearing 2D drawings and 3D CAD models