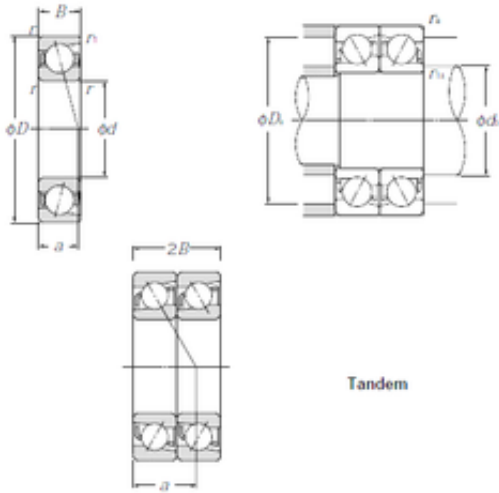




BTE Bearing Power Machinery Co., Ltd.

NTN 7209DT angular contact ball bearings

Bearing No. 7209DT



7209DT Bearing 2D drawings and 3D CAD models

Size	45x85x19 mm
Bore Diameter	45 mm
Outer Diameter	85 mm
Width	19 mm
d	45 mm
D	85 mm
B	19 mm
ra1 max.	0,6 mm
Angle (°)	25 °
a	28,5 mm
r min.	1,1 mm
r1 min.	0,6 mm
2B	38 mm
da min.	52 mm
Da max.	78 mm
db min	49,5 mm
ra max.	1 mm
Db max	80,5 mm
Weight	0,808 Kg
Basic dynamic load rating (C)	64,5 kN
Basic static load rating (C0)	57,5 kN
(Grease) Lubrication Speed	6 900 r/min