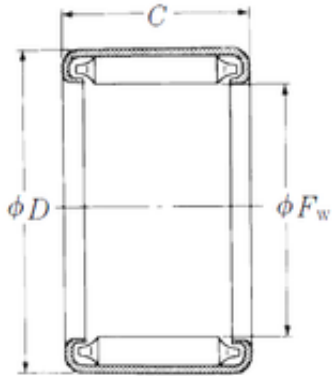




BTE Bearing Power Machinery Co., Ltd.

NSK B-57 needle roller bearings



Bearing No. B-57

Size	7.938x12.7x11.13 mm
Bore Diameter	7,938 mm
Outer Diameter	12,7 mm
Width	11,13 mm
Fw	7,938 mm
D	12,7 mm
C	11,13 mm
Weight	0,005 Kg
Basic dynamic load rating (C)	6,05 kN

B-57 Bearing 2D drawings and 3D CAD models