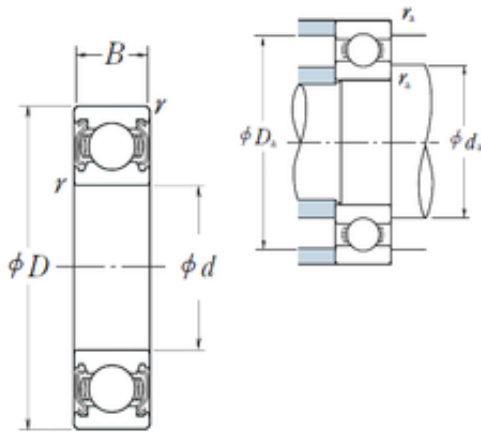




BTE Bearing Power Machinery Co., Ltd.



NSK 6926ZZ deep groove ball bearings

Bearing No. 6926ZZ

Size	130x180x24 mm
Bore Diameter	130 mm
Outer Diameter	180 mm
Width	24 mm
d	130 mm
D	180 mm
B	24 mm
C	24 mm
r min.	1,5 mm
da min.	138 mm
da max	144 mm
Da max.	172 mm
ra max.	1,5 mm
Weight	1,57 Kg
Basic dynamic load rating (C)	65 kN
Basic static load rating (C0)	67,5 kN
(Grease) Lubrication Speed	3 400 r/min
Category	Single Row Ball Bearings
Inventory	0.0
Manufacturer Name	NSK
Minimum Buy Quantity	N/A
Weight / Kilogram	1.78
Product Group	B00308
Enclosure	2 Metal Shields
Precision Class	ABEC 1 ISO P0
Maximum Capacity / Filling	No

6926ZZ Bearing 2D drawings and 3D CAD models



BTE Bearing Power Machinery Co., Ltd.

Slot	
Rolling Element	Ball Bearing
Snap Ring	No
Internal Special Features	No
Cage Material	Steel
Internal Clearance	C0-Medium
Inch - Metric	Metric
Long Description	130MM Bore; 180MM Outside Diameter; 24MM Outer Race Width; 2 Metal Shields; Ball Bearing; ABEC 1 ISO P0; No Filling Slot; No Snap Ring; No Internal Special Features; C0-Medium Internal Clearance; St
Other Features	Deep Groove
Category	Single Row Ball Bearing
UNSPSC	31171504
Harmonized Tariff Code	8482.10.50.68
Noun	Bearing
Keyword String	Ball
Manufacturer URL	http://www.nskamericas.com
Weight / LBS	3.4619
Inner Race Width	0 Inch 0 Millimeter
Bore	5.118 Inch 130 Millimeter
Outer Race Width	0.945 Inch 24 Millimeter
Outside Diameter	7.087 Inch 180 Millimeter
SRI	7.8
hidYobi	6926ZZ
LangID	1
D_	180
SREX	0.03
B_	24



BTE Bearing Power Machinery Co., Ltd.

da min	138
hidTable	ecat_NS RDGB
SRE	7.8
mass	1.57
GRS rpm	3400
ra	1.5
SRIX	0.03
D_a	172
SRIN	-0.03
C0	67.5
fo	16.5
SREN	-0.03
DE_	170.081
Prod_Type3	DGBB_SR_ZZ
DA_	15.081
bomp	0
Z_	18
yobi	6926ZZ
C_conv	65000
ALPHA_	0
SDM_	155
r	1.5
KBRG	6141
SBRG	19
DI_	139.919