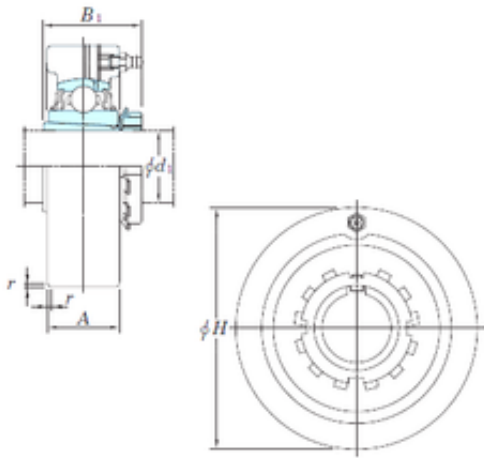




## BTE Bearing Power Machinery Co., Ltd.



### KOYO UKC312 bearing units

Bearing No. UKC312

Bore Diameter	55 mm
d	55 mm
r	3 mm
A	46 mm
B1	62 mm
H	160 mm
Weight	4,7 Kg
Basic dynamic load rating (C)	81,9 kN
Basic static load rating (C0)	52,2 kN

UKC312 Bearing 2D drawings and 3D CAD models