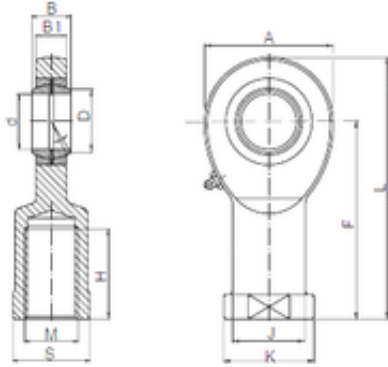




BTE Bearing Power Machinery Co., Ltd.

ISO SI 08 plain bearings



Bearing No. SI 08

Bore Diameter	8 mm
d	8 mm
B	12 mm
A	24 mm
B1	9 mm
D	10,4 mm
F	36 mm
H	16 mm
J	12,5 mm
K	16 mm
L	48 mm
S	13 mm
Bolt (G)	M8

SI 08 Bearing 2D drawings and 3D CAD models